

FIG 2B

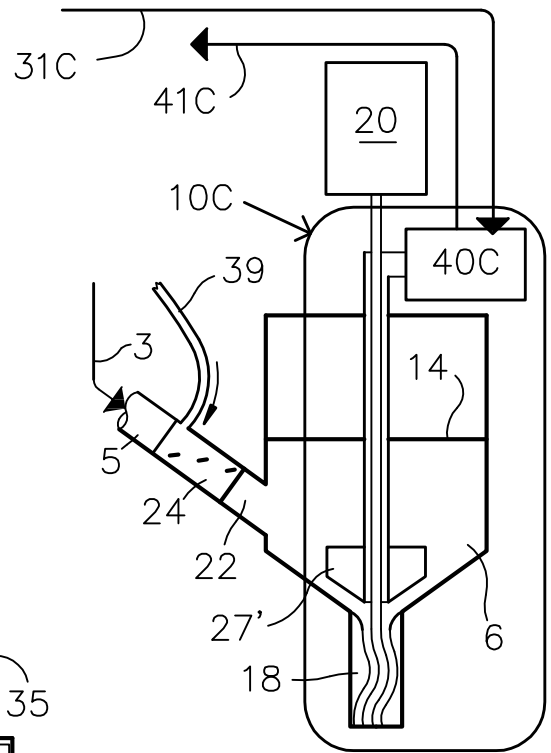


FIG 2C

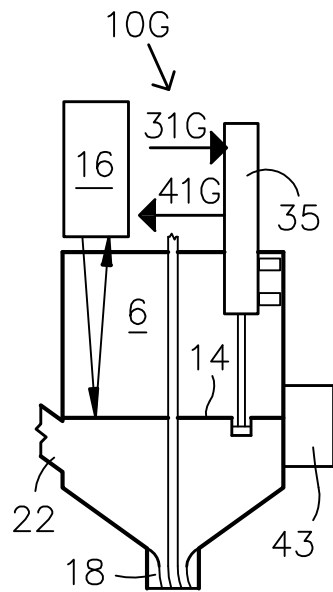


FIG 2G

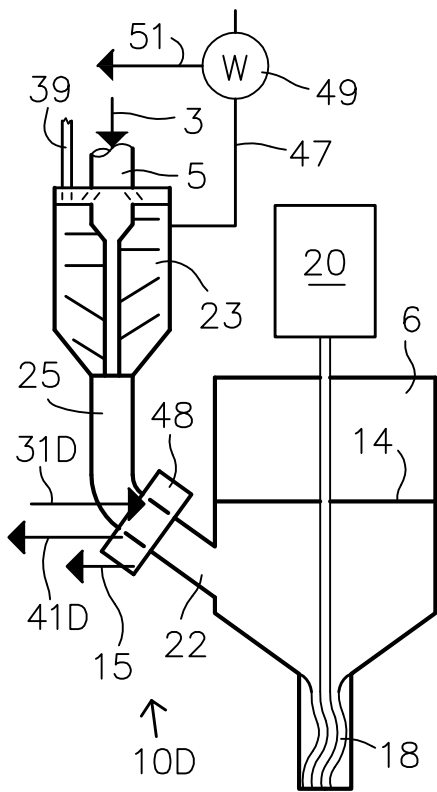


FIG 2D

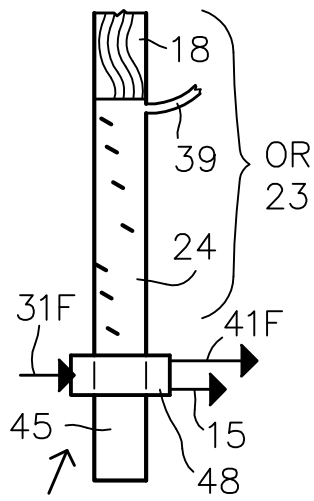


FIG 2F

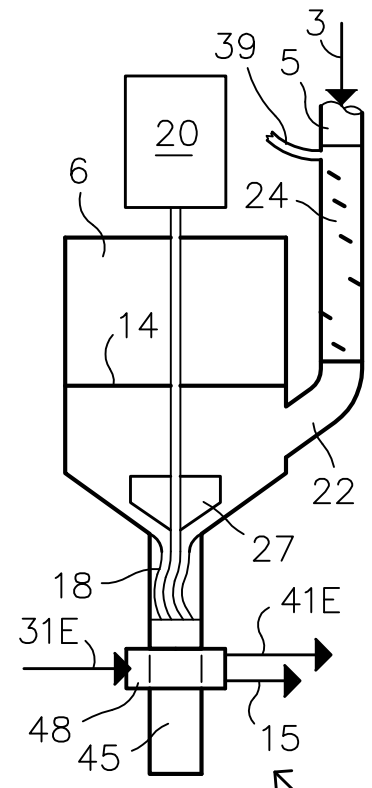


FIG 2E

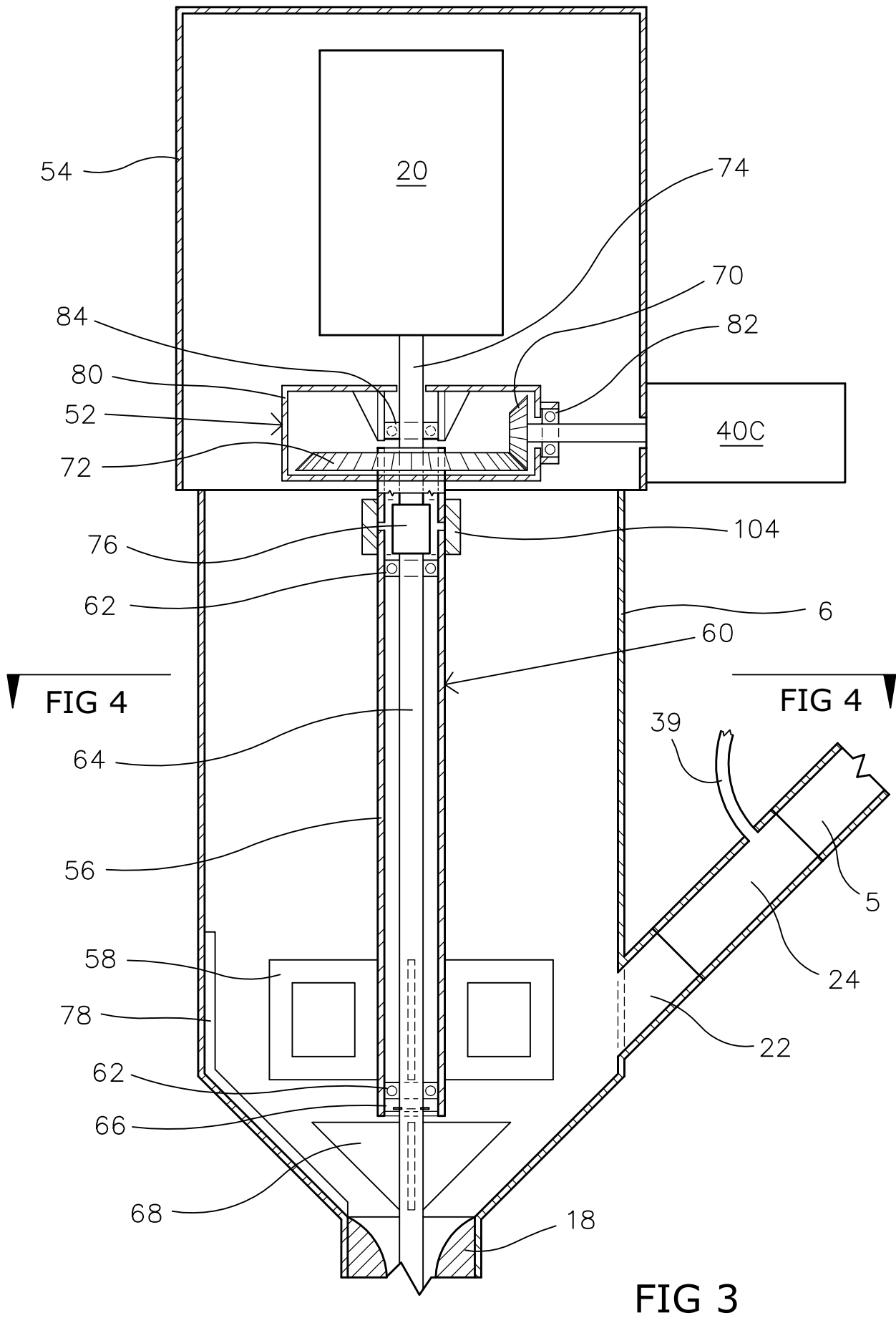


FIG 3

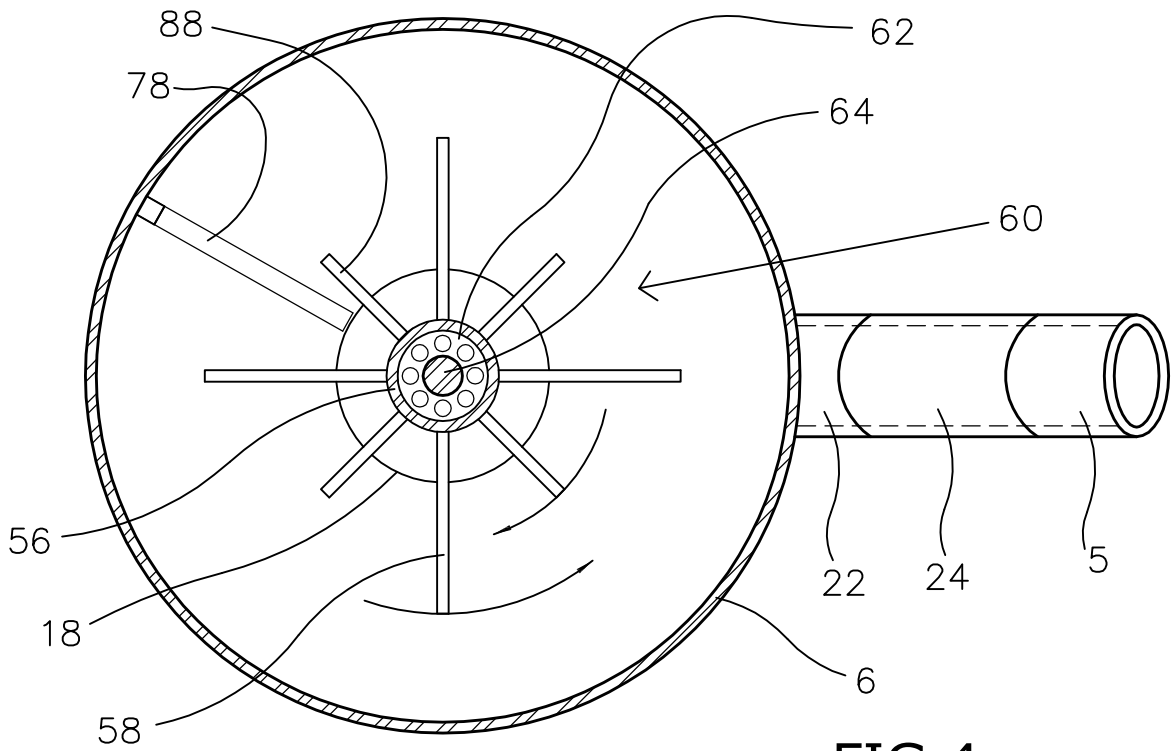


FIG 4

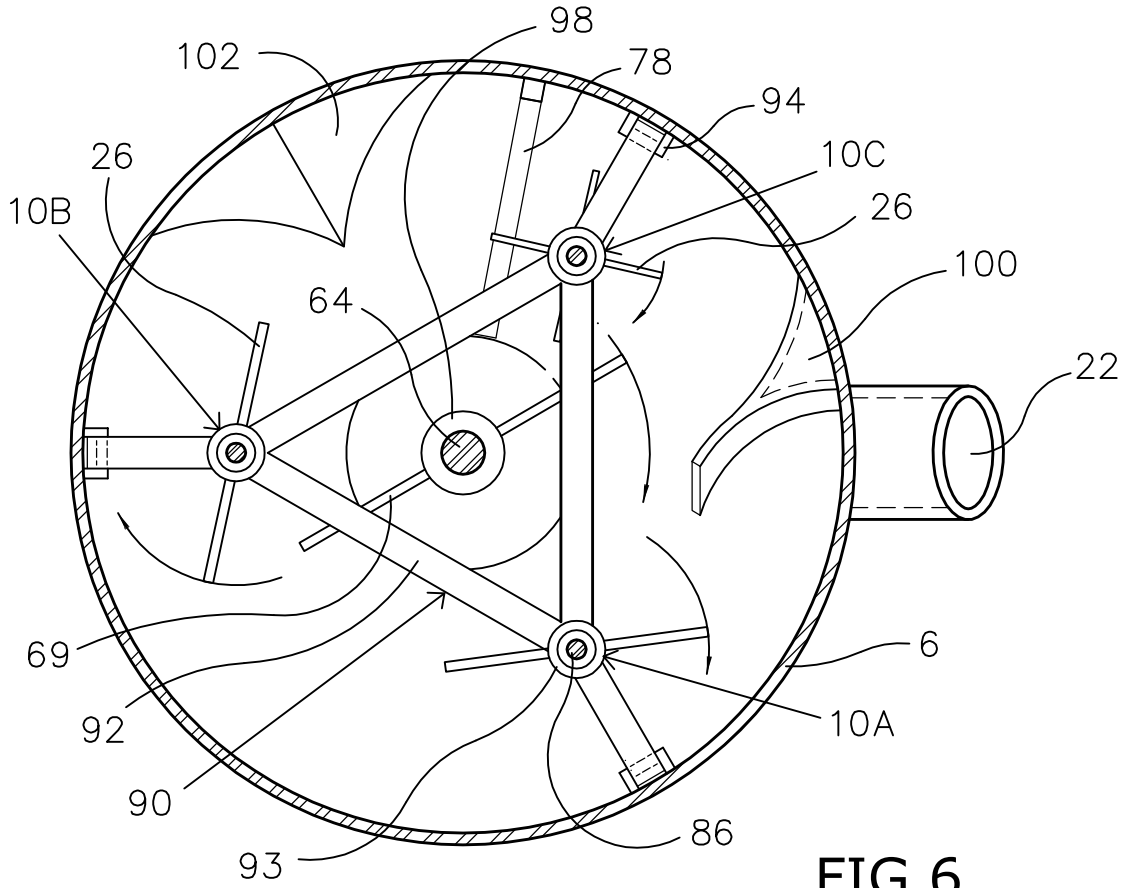


FIG 6

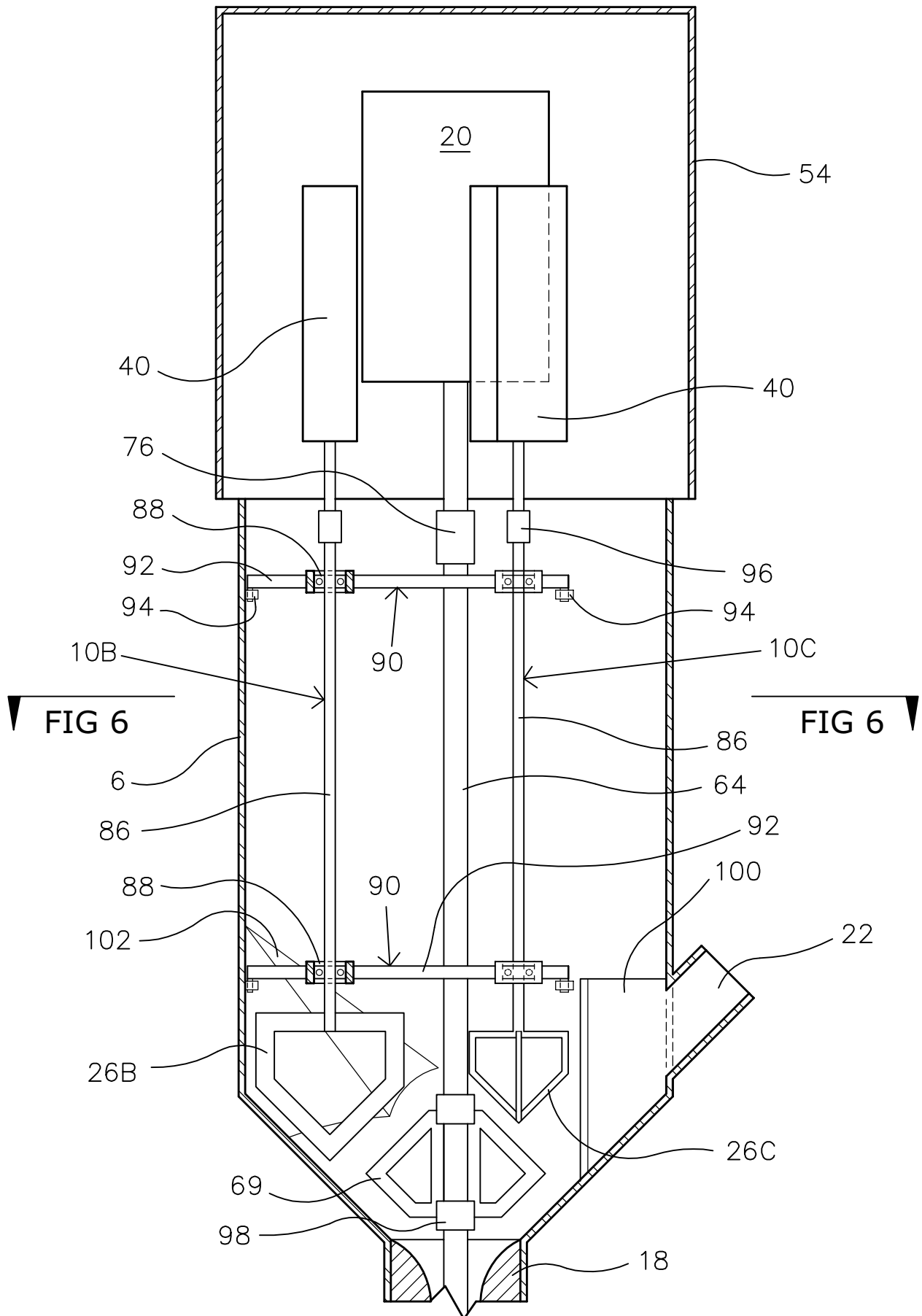


FIG 6

FIG 6

FIG 5

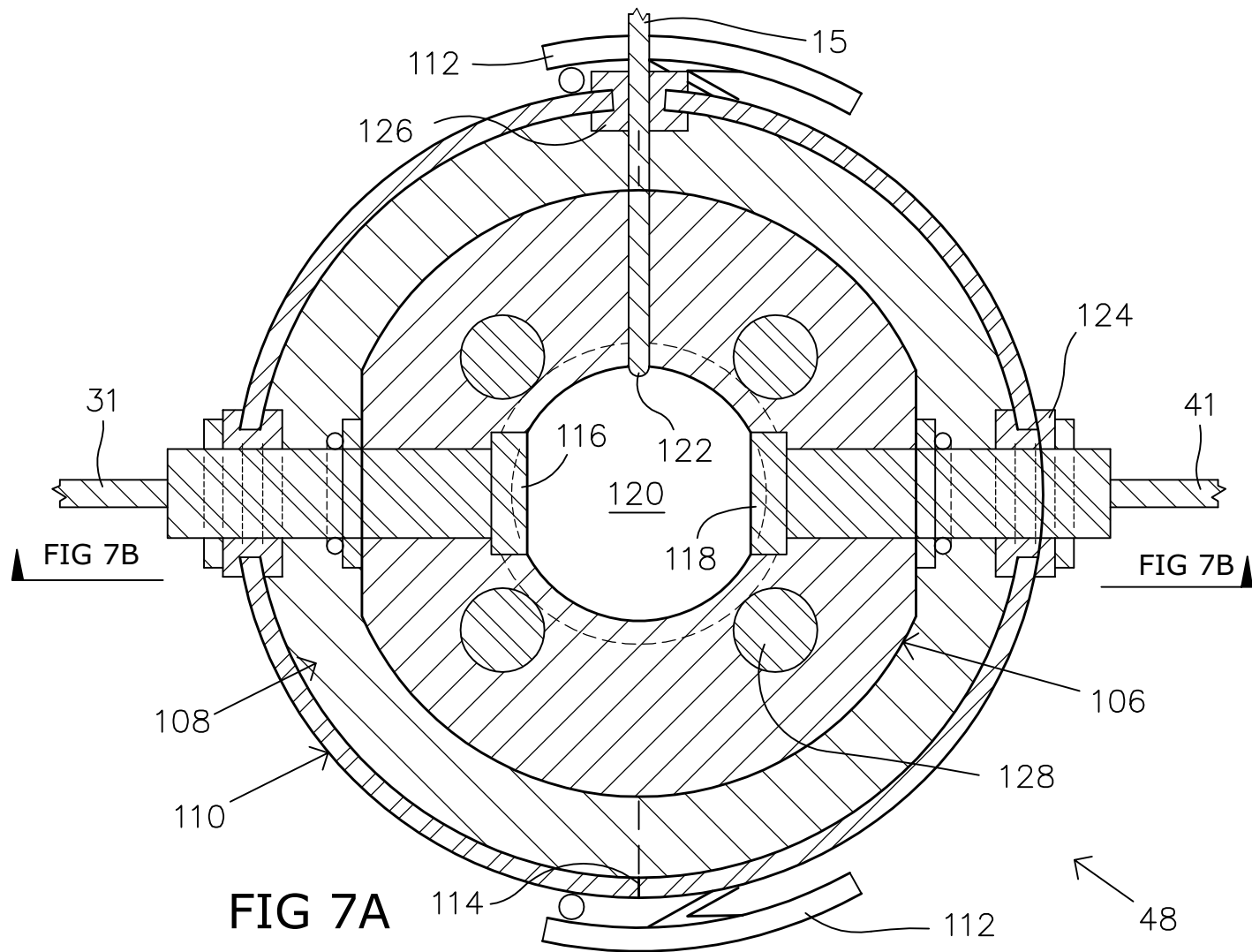


FIG 7A

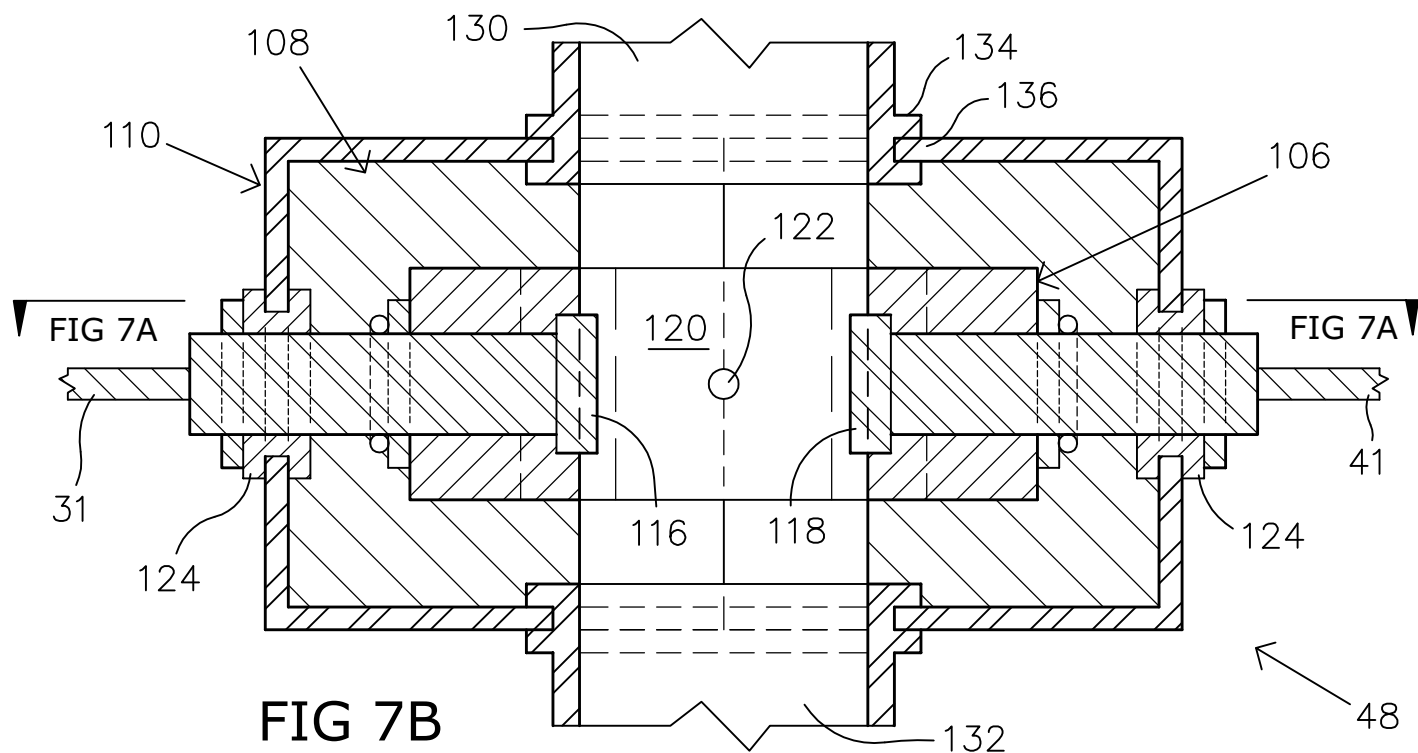
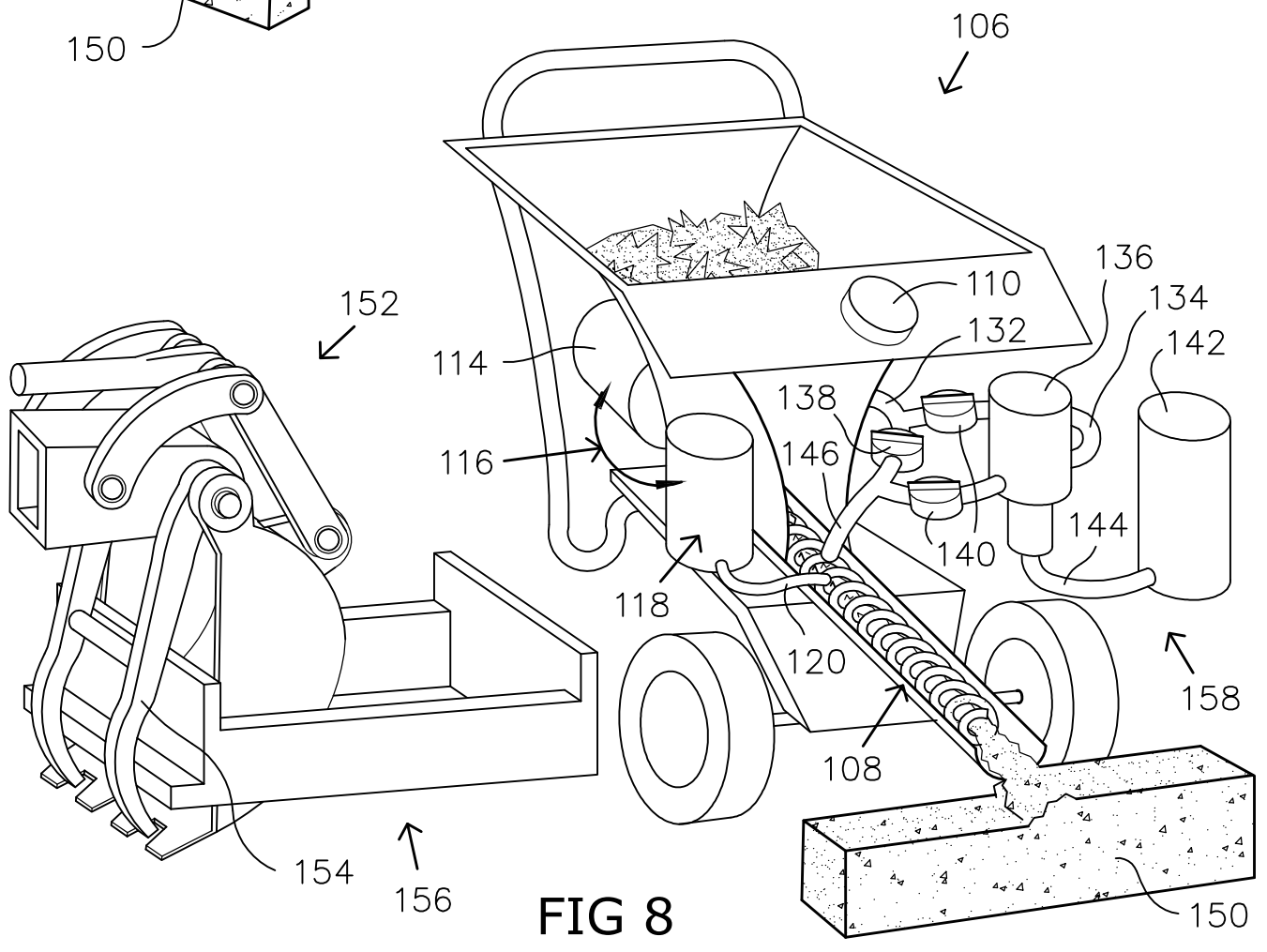
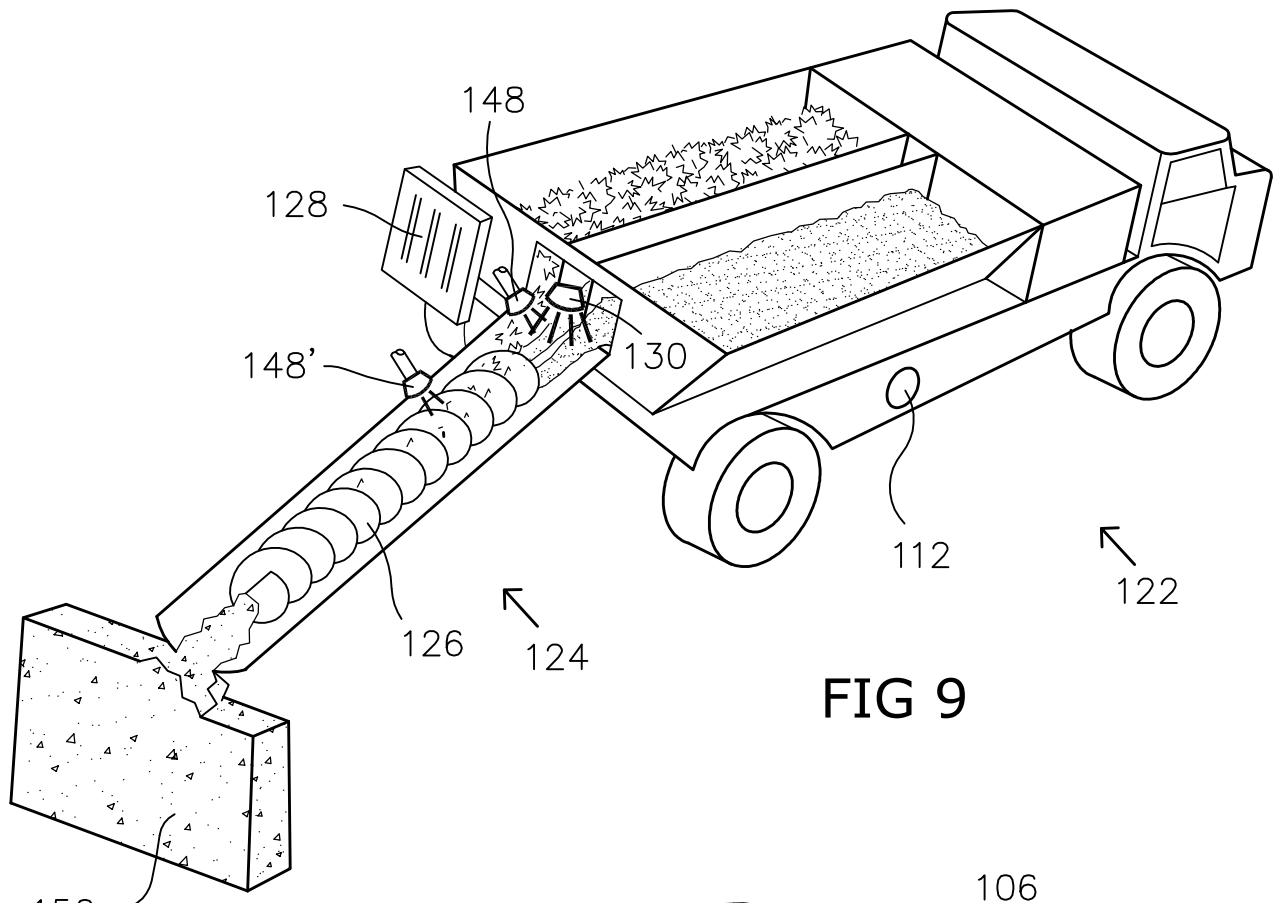


FIG 7B



USER SELECTED

V_T
 ΔV_D
 ΔA_0
 ΔT
 P

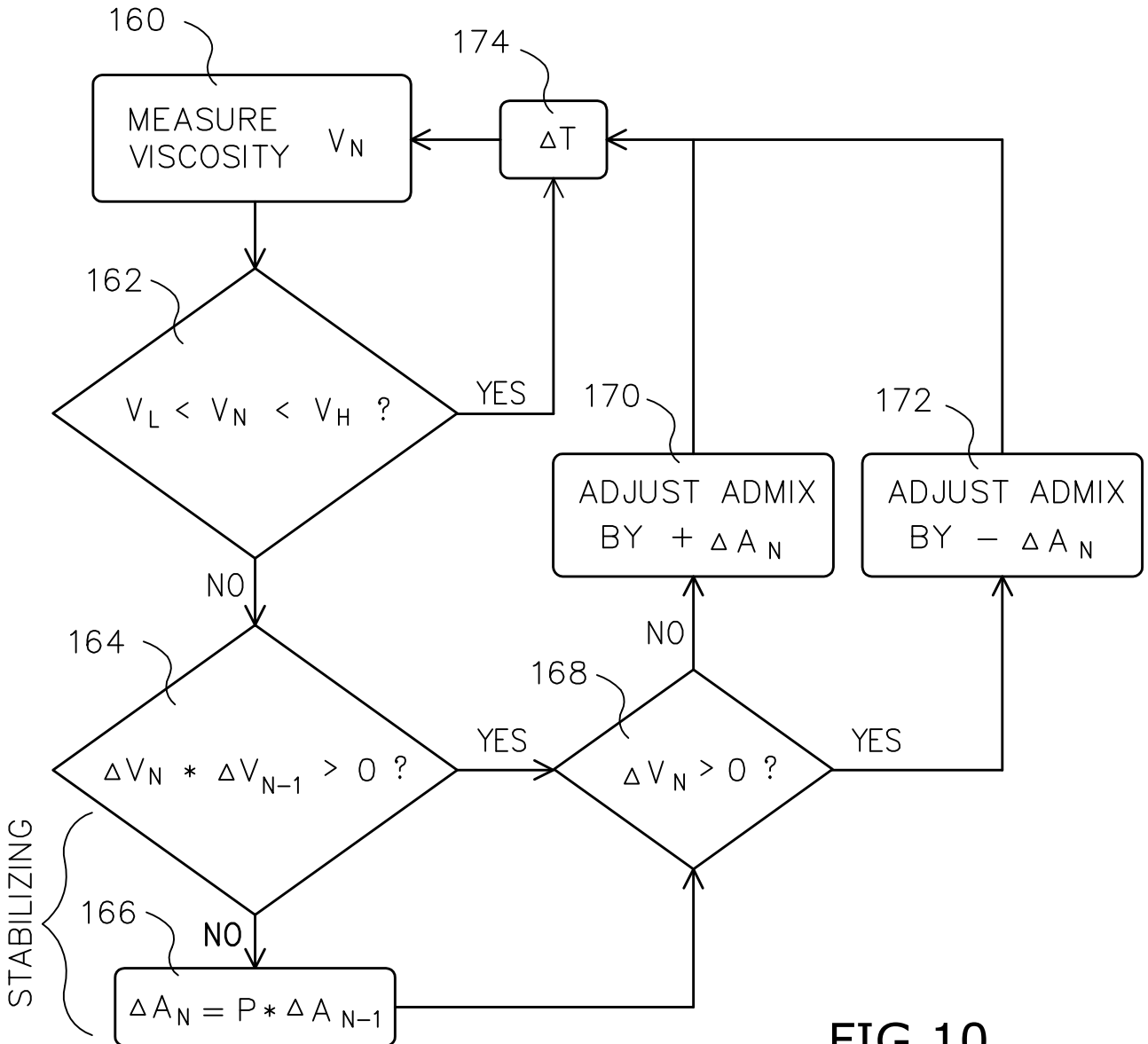
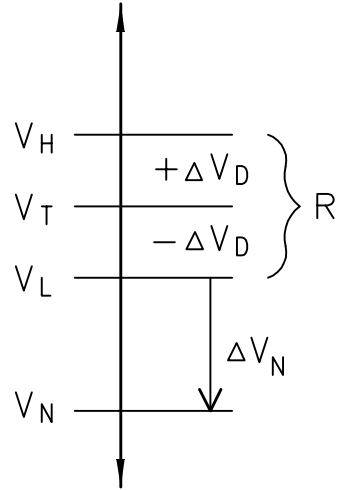


FIG 10

USER SELECTED

V_T
 ΔV_D
 ΔW_0
 ΔT
 P

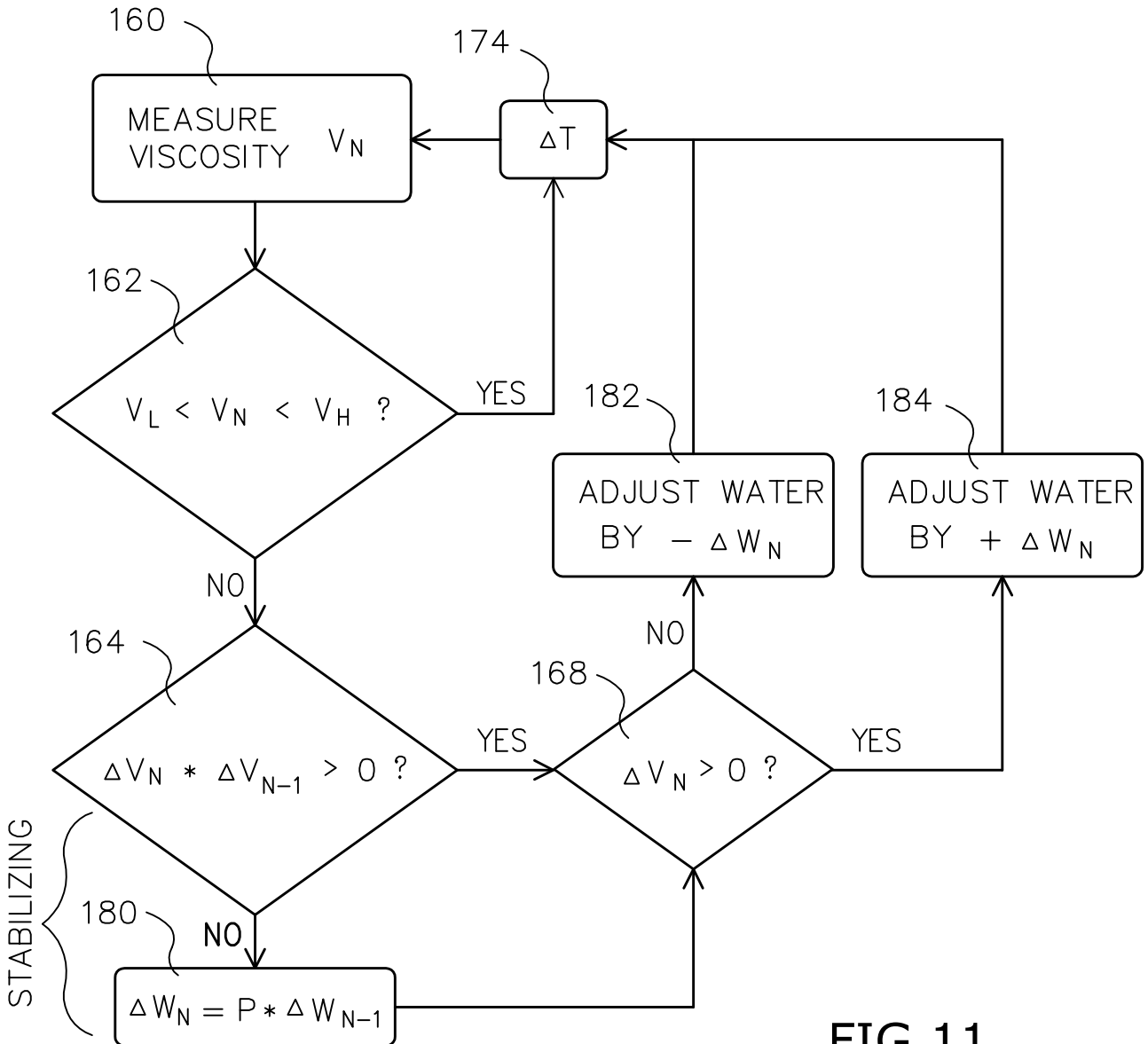
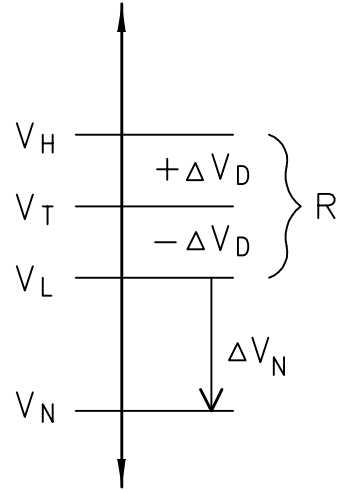


FIG 11