

FIG 1

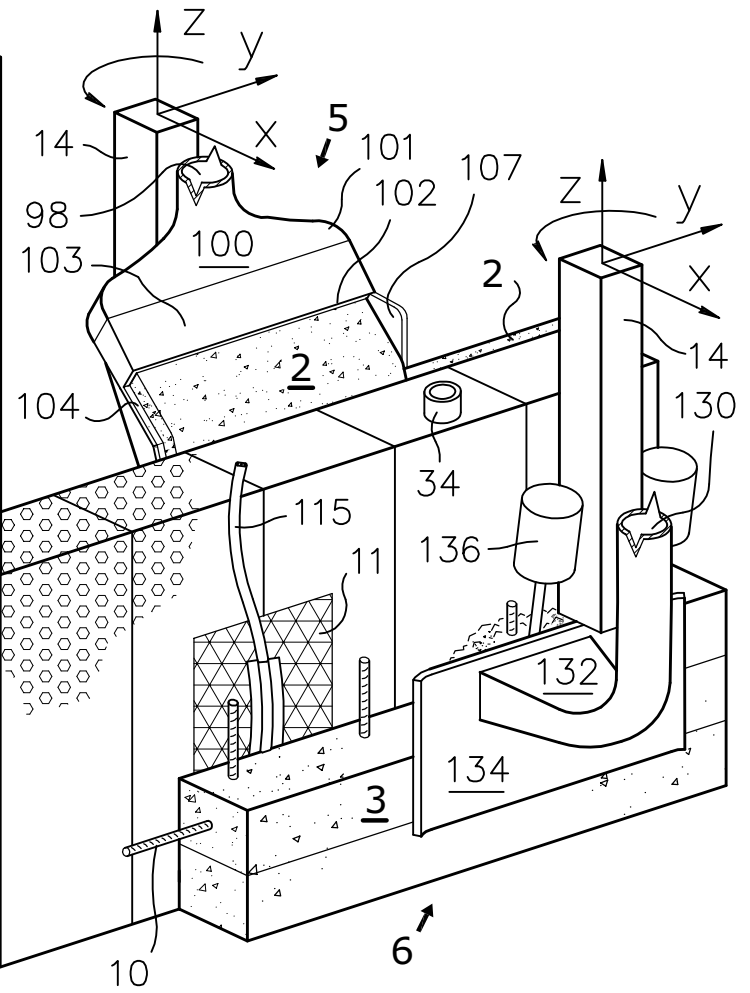
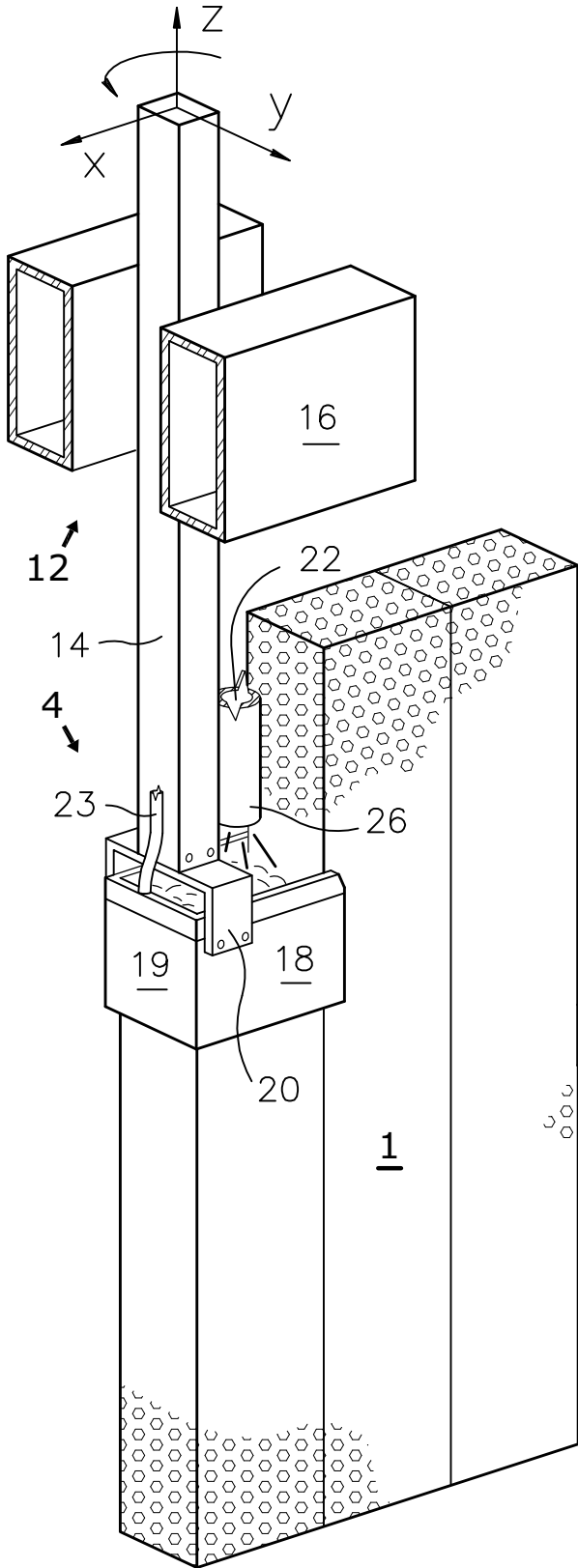
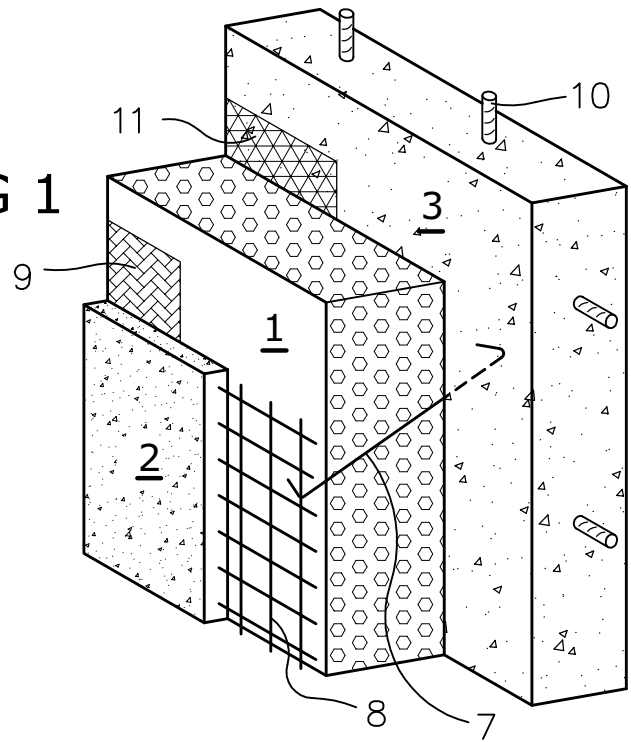


FIG 2

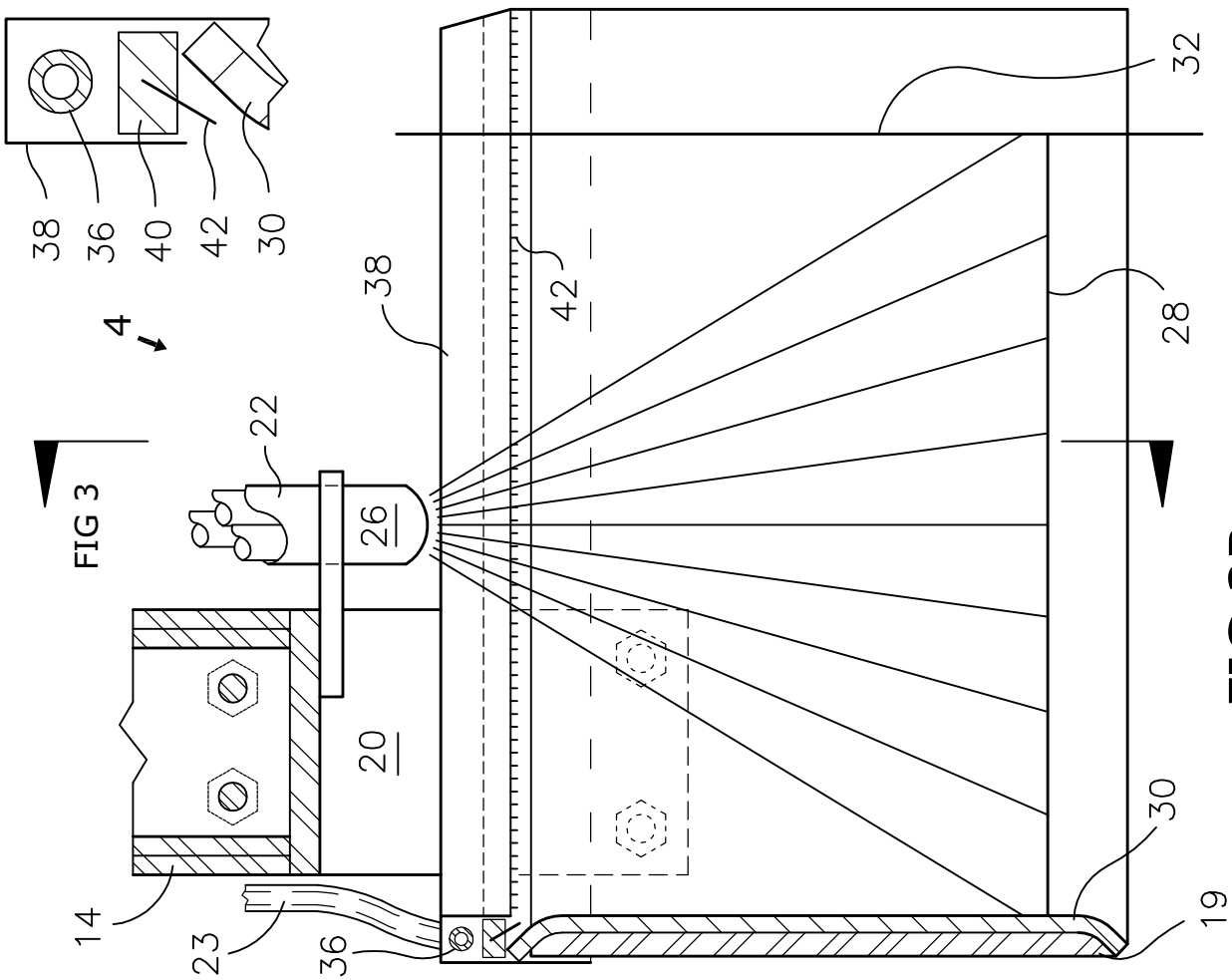


FIG 3B

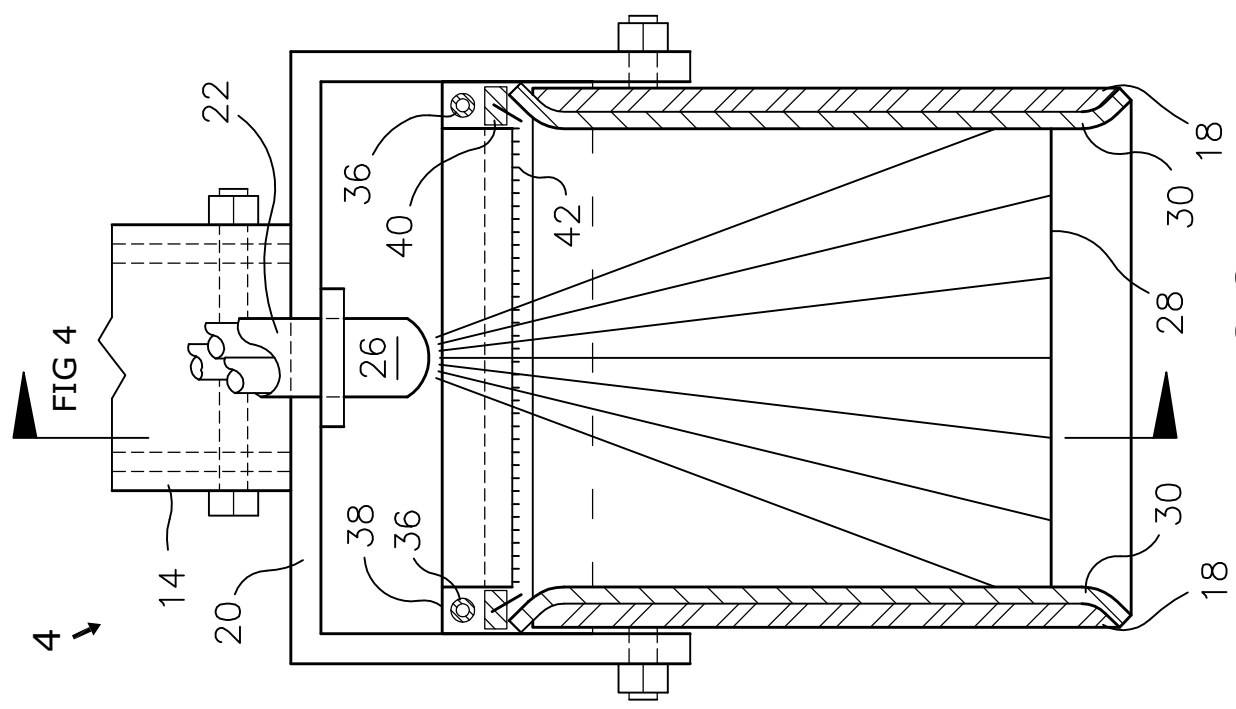


FIG 3A

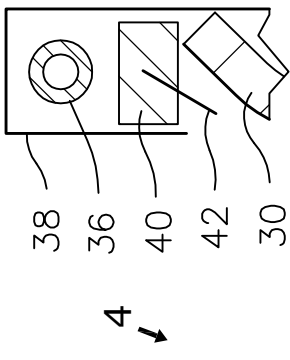


FIG 3

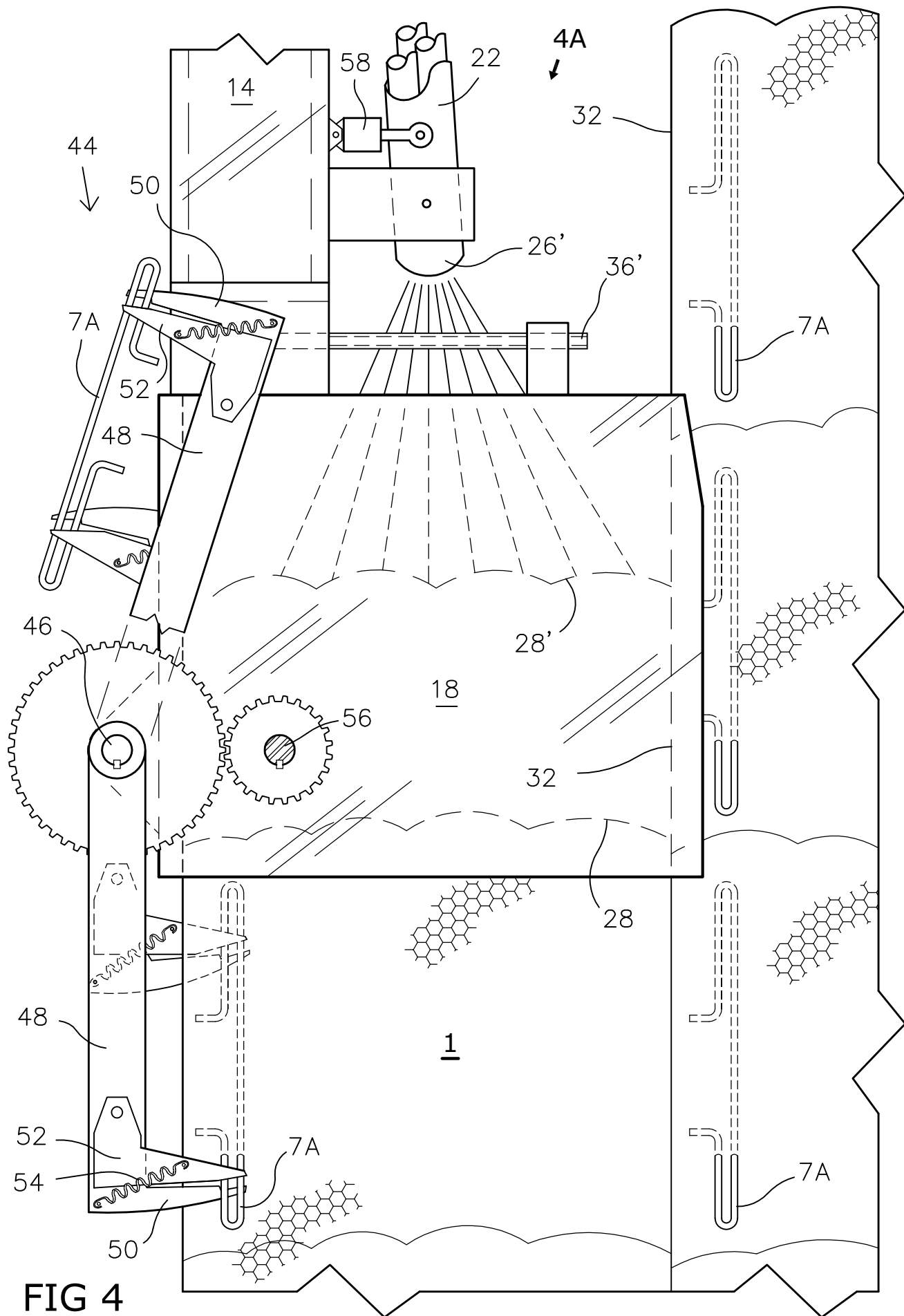


FIG 4

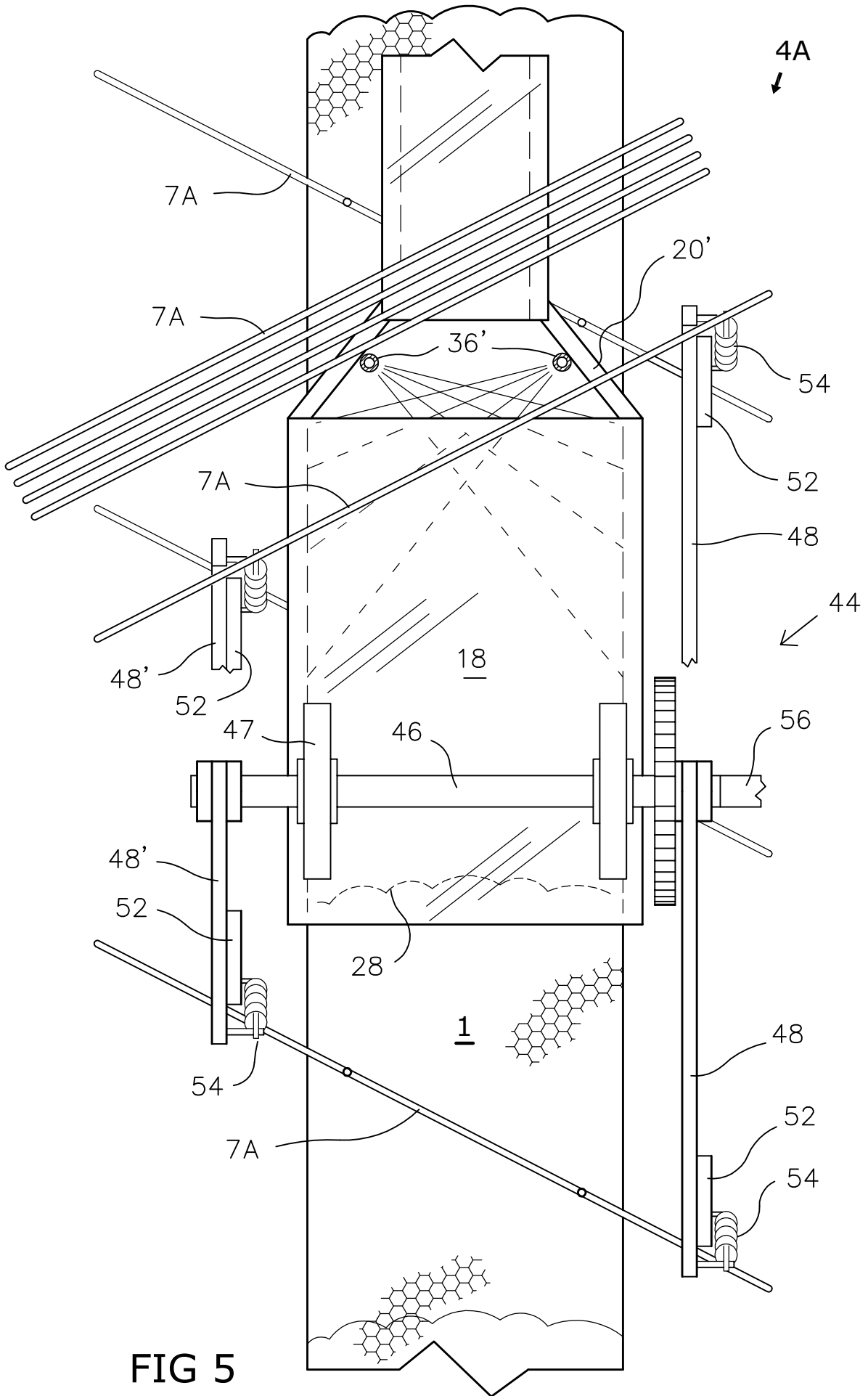


FIG 5

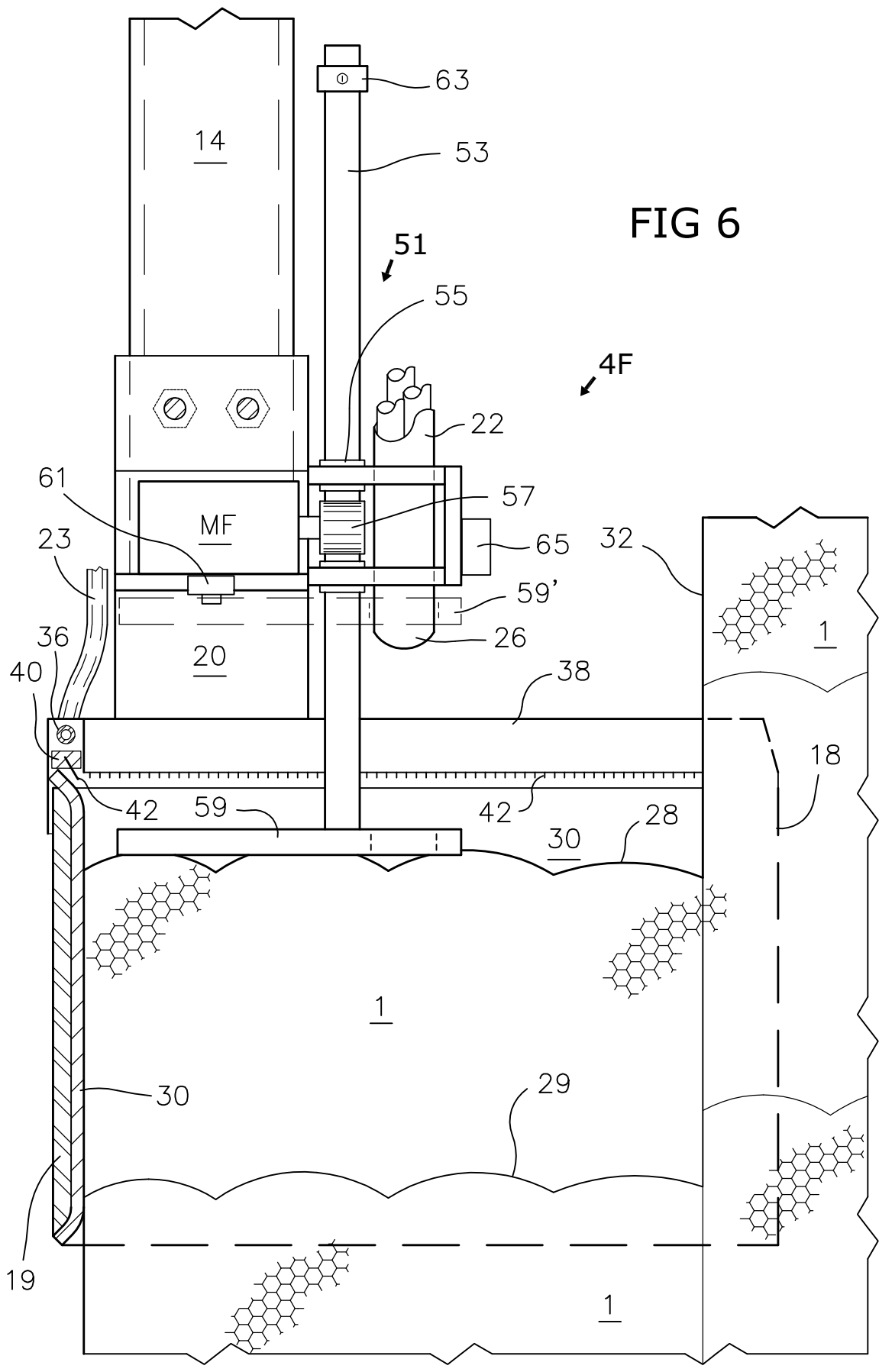


FIG 6

14

63

53

51

55

4F

22

61

MF

57

23

65

32

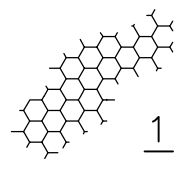
40

36

20

59'

26



38

18

42

42

59

30

28

1

30

29



19

1

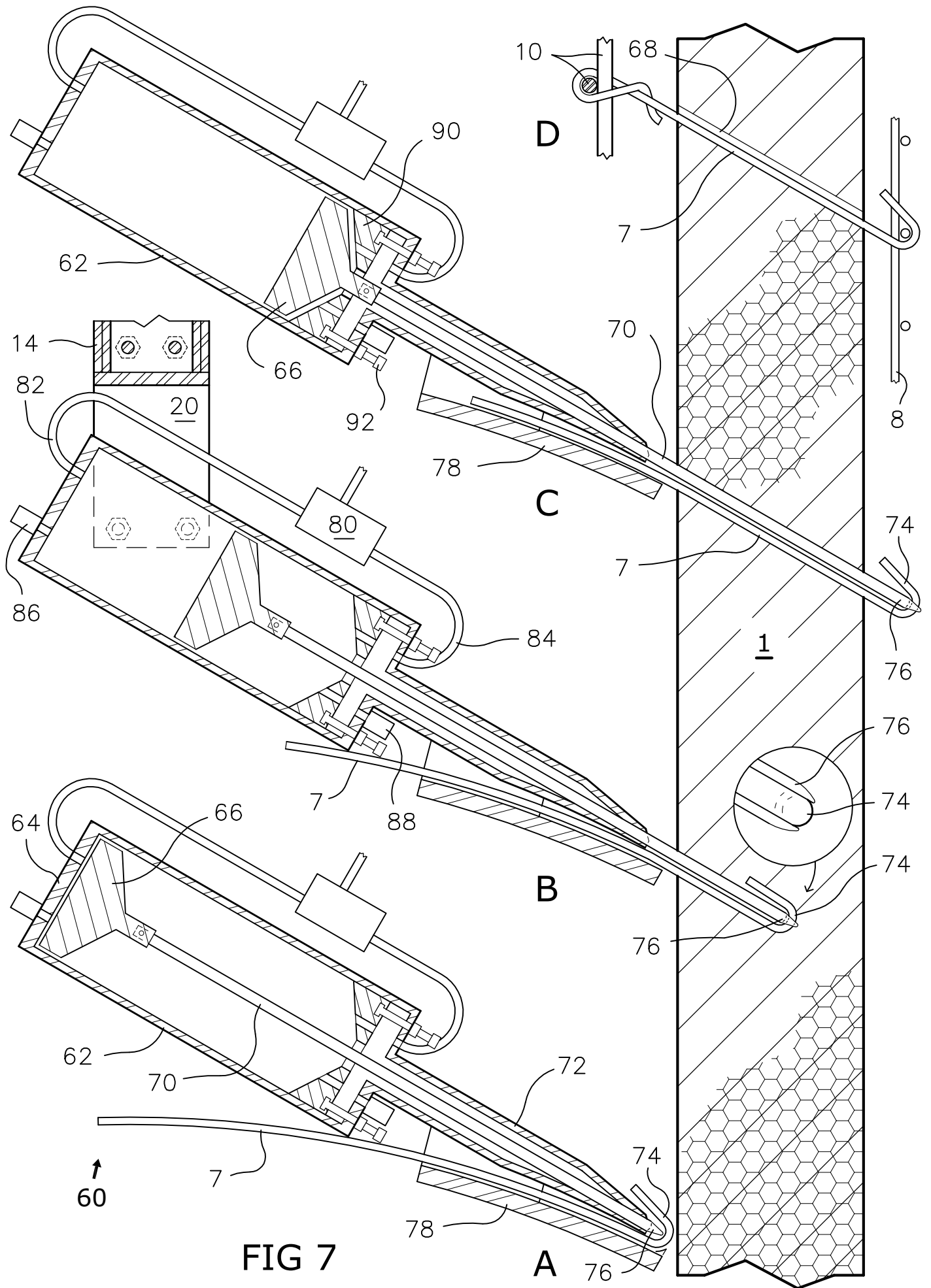


FIG 7

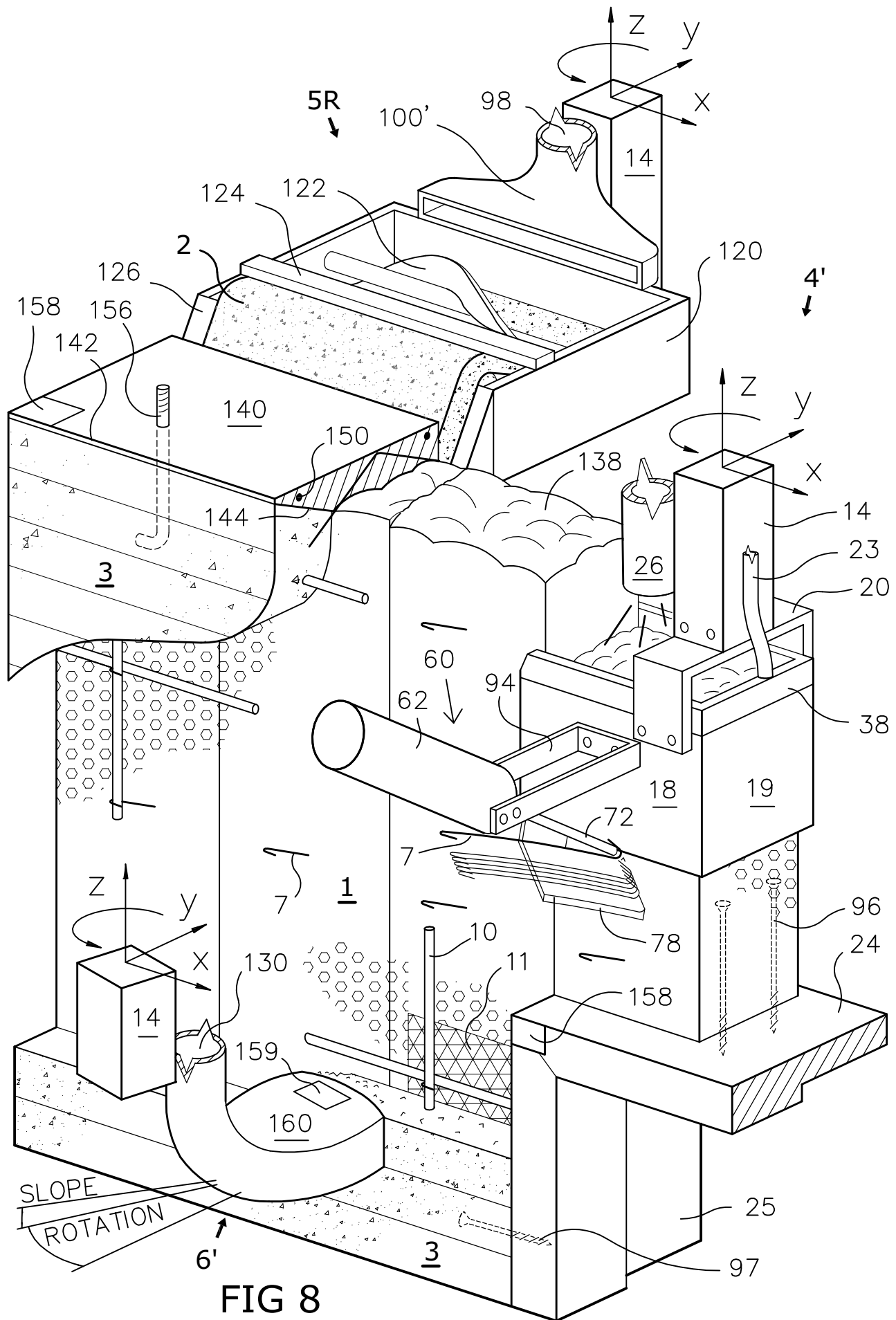


FIG 8

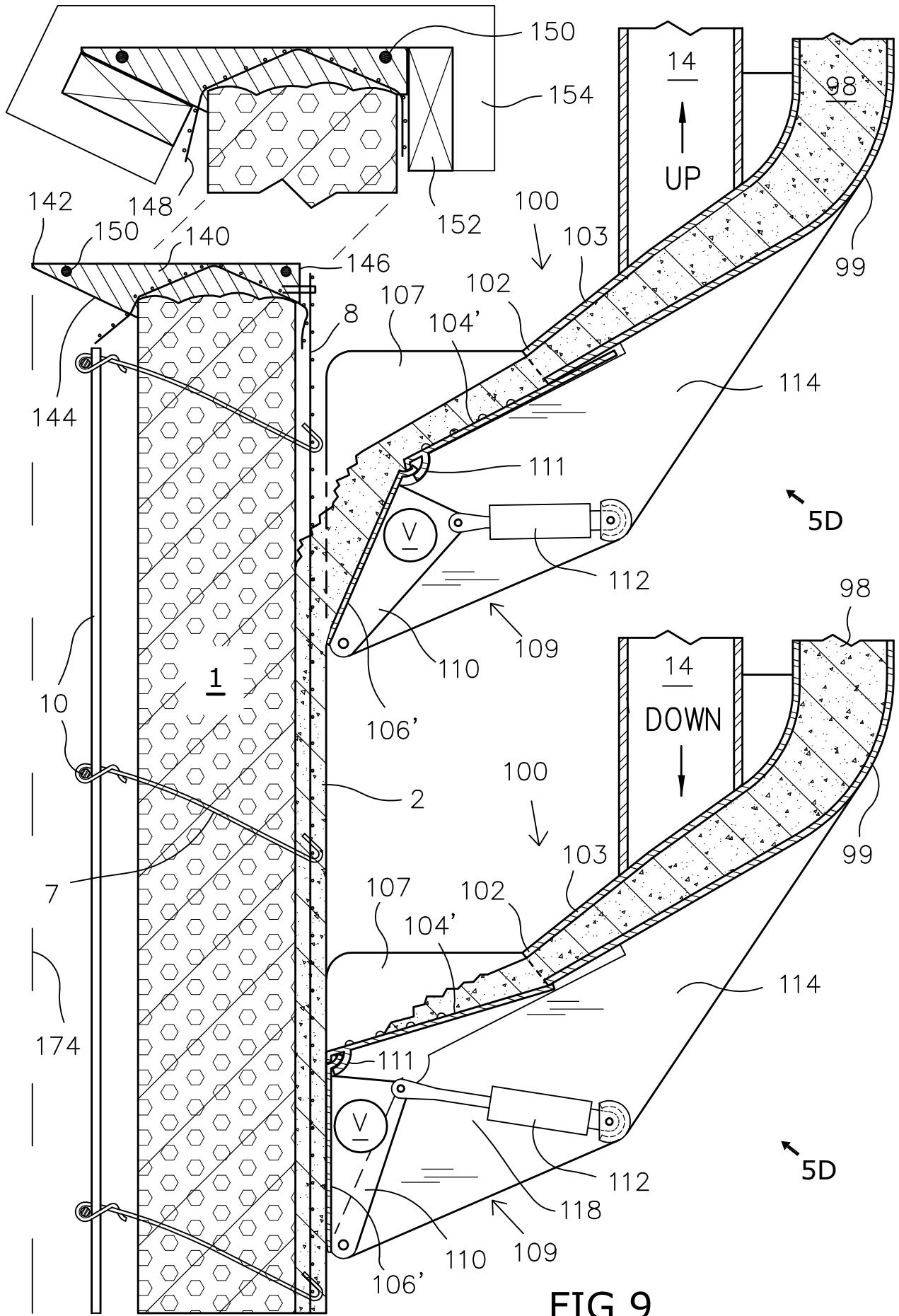


FIG 9

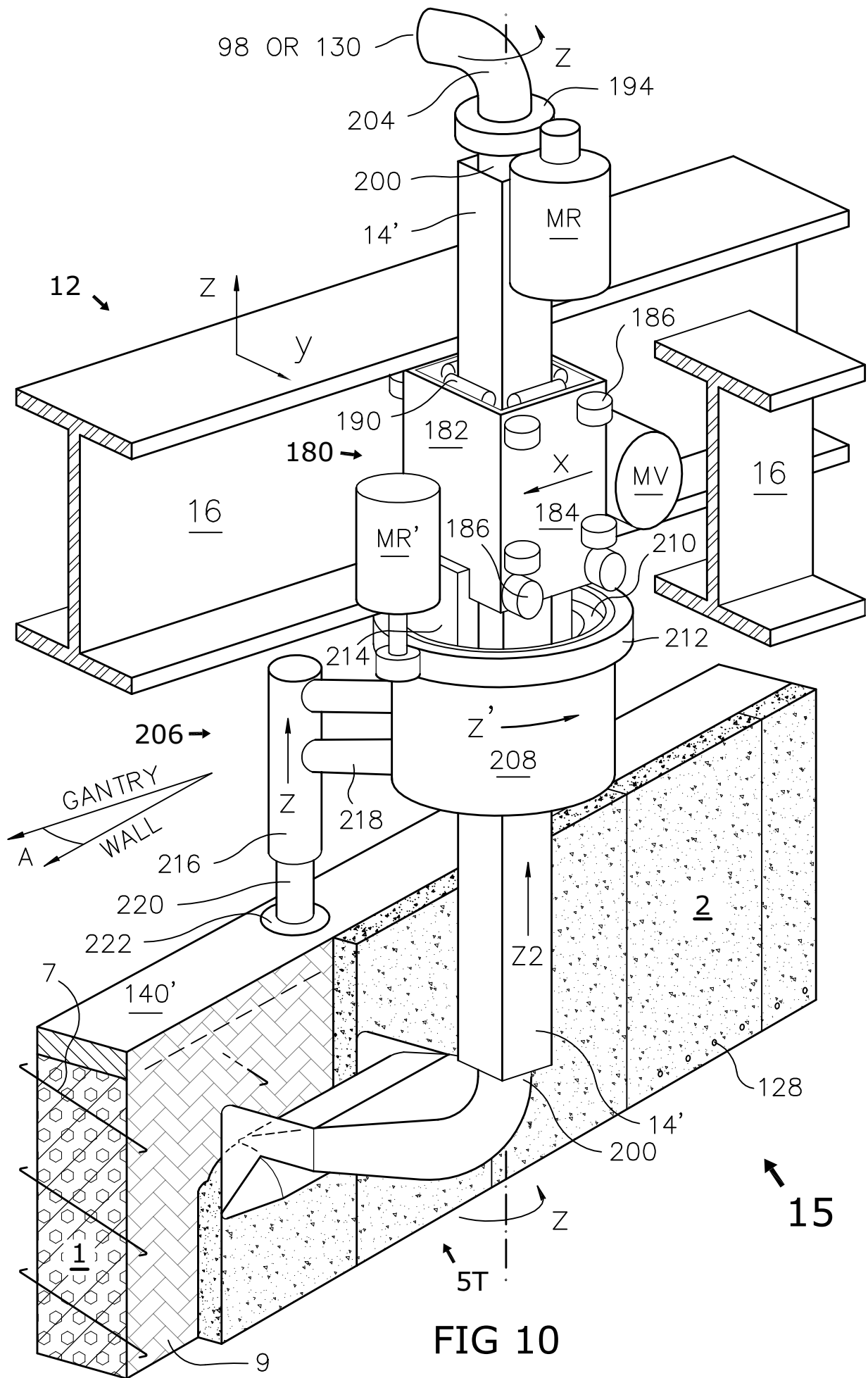
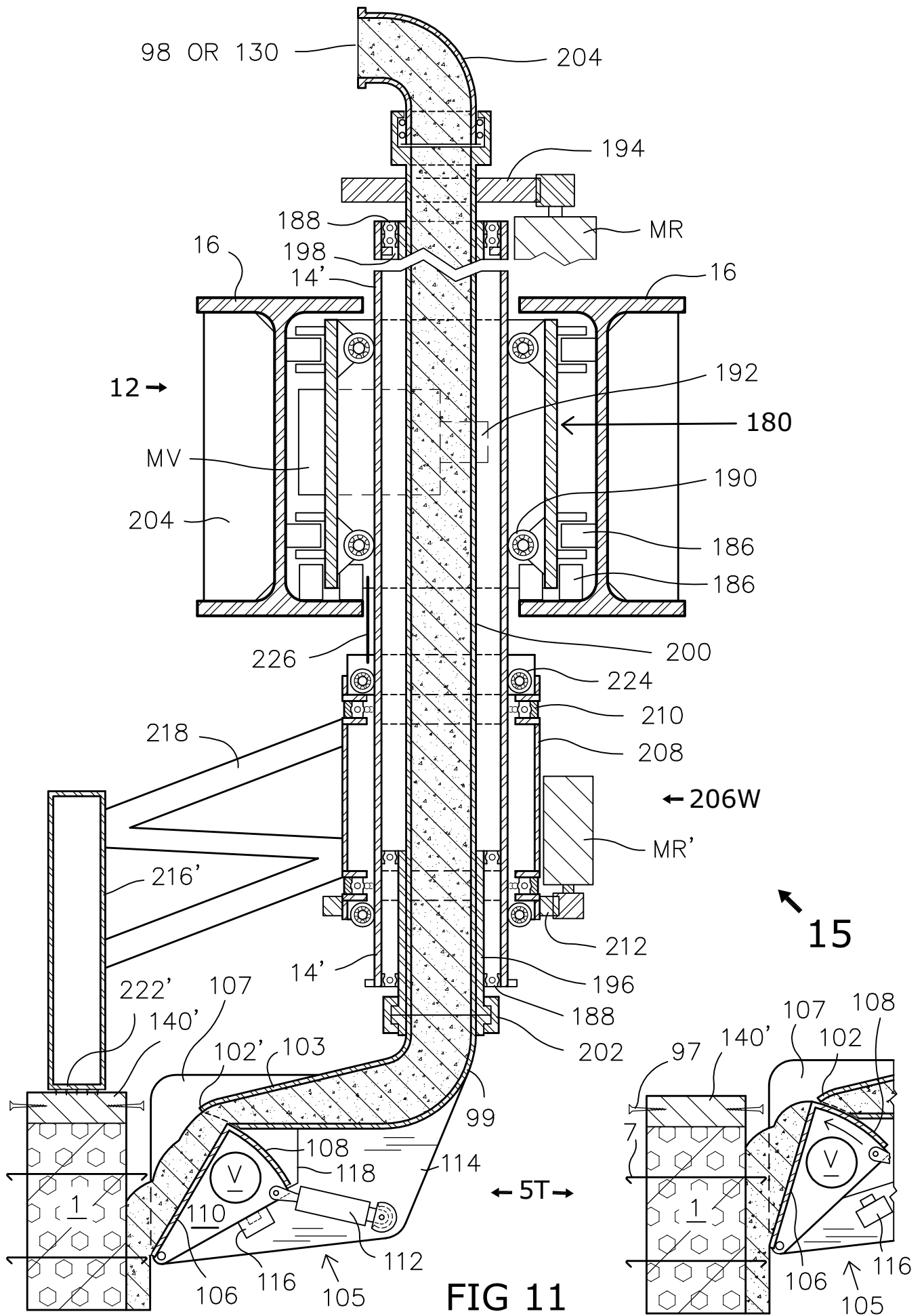


FIG 10



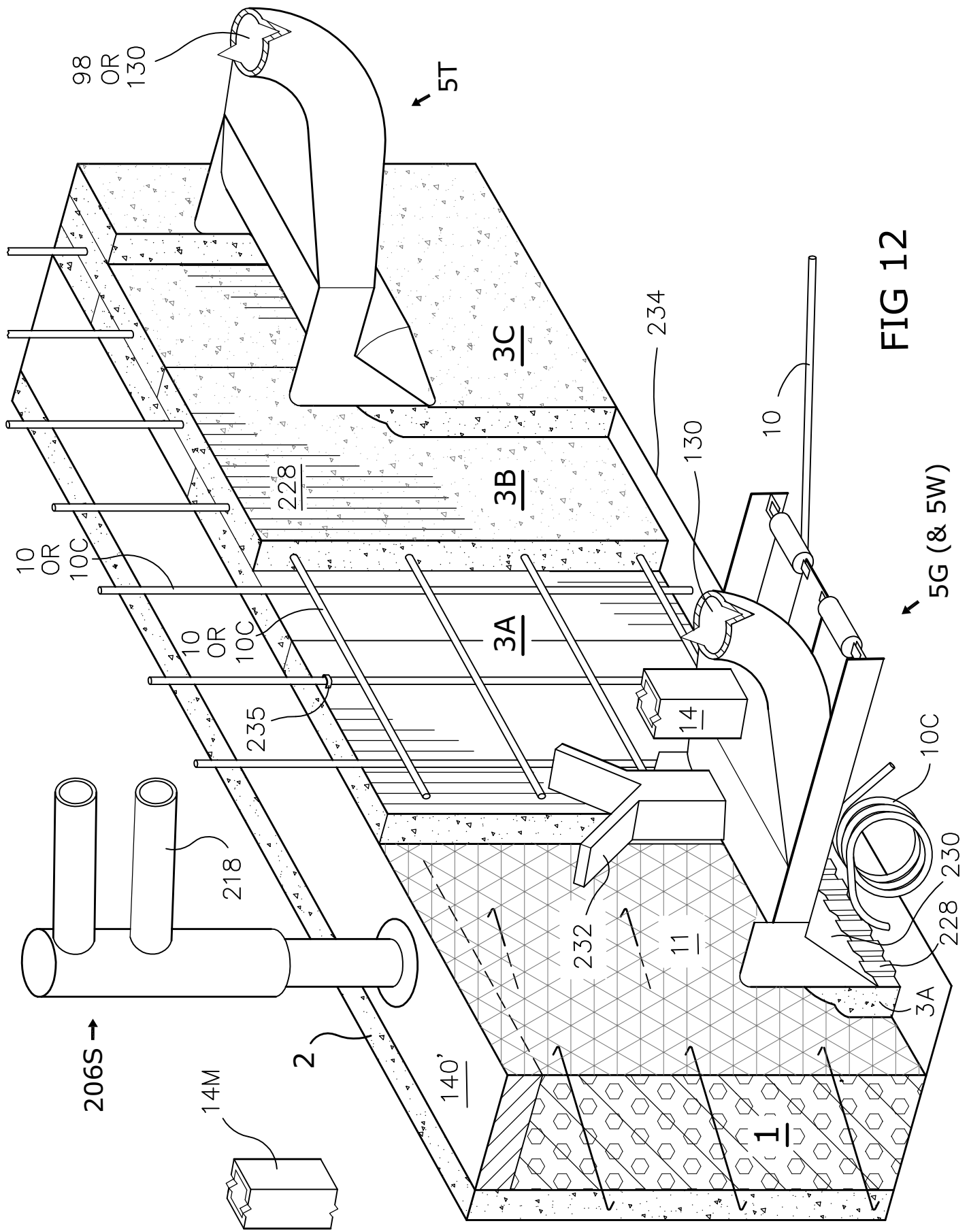


FIG 12

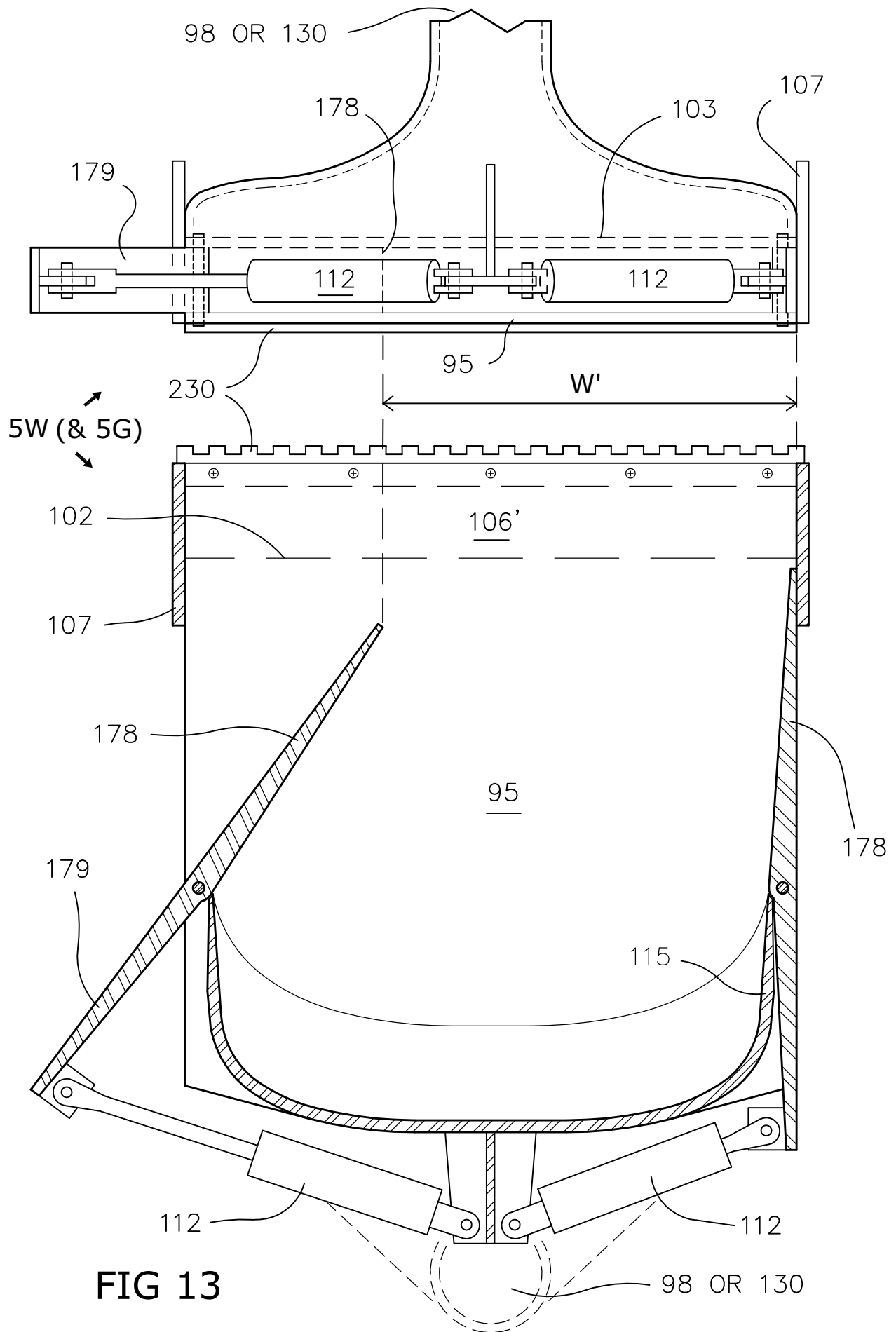


FIG 13

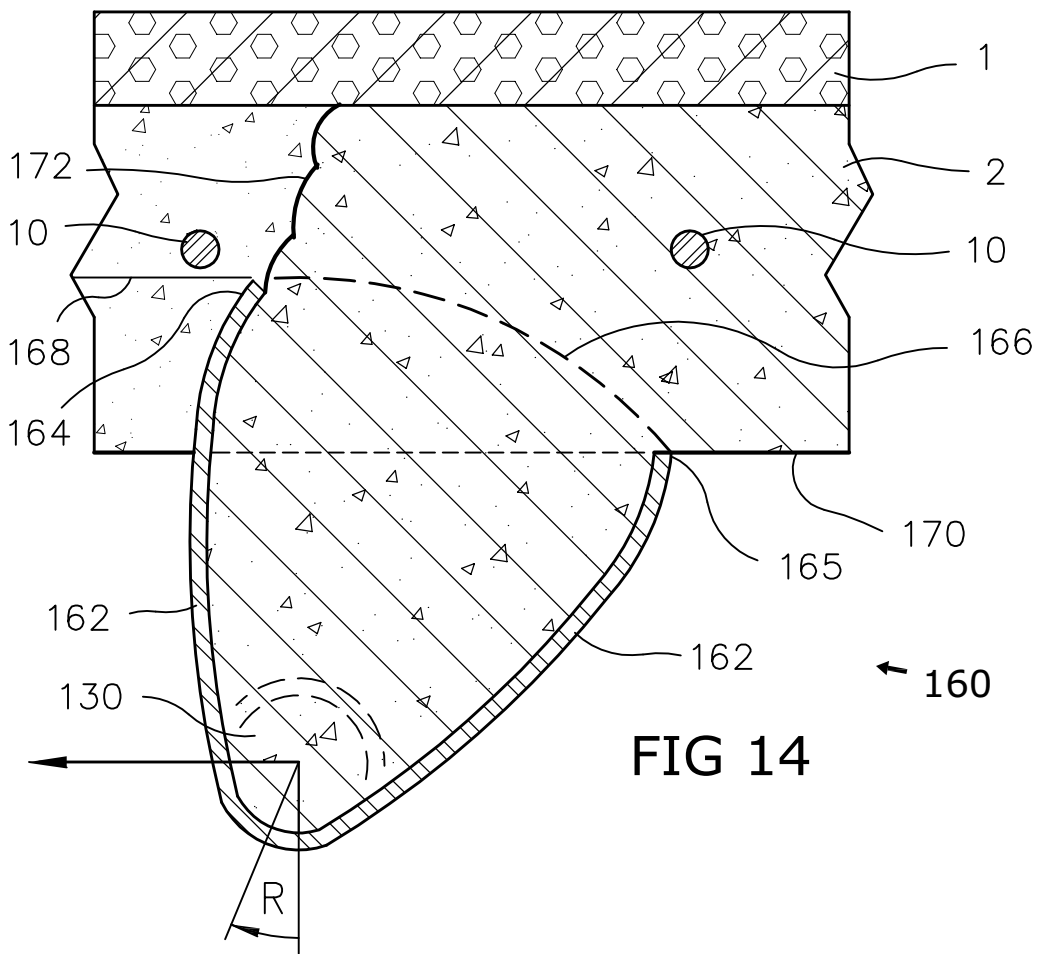


FIG 14

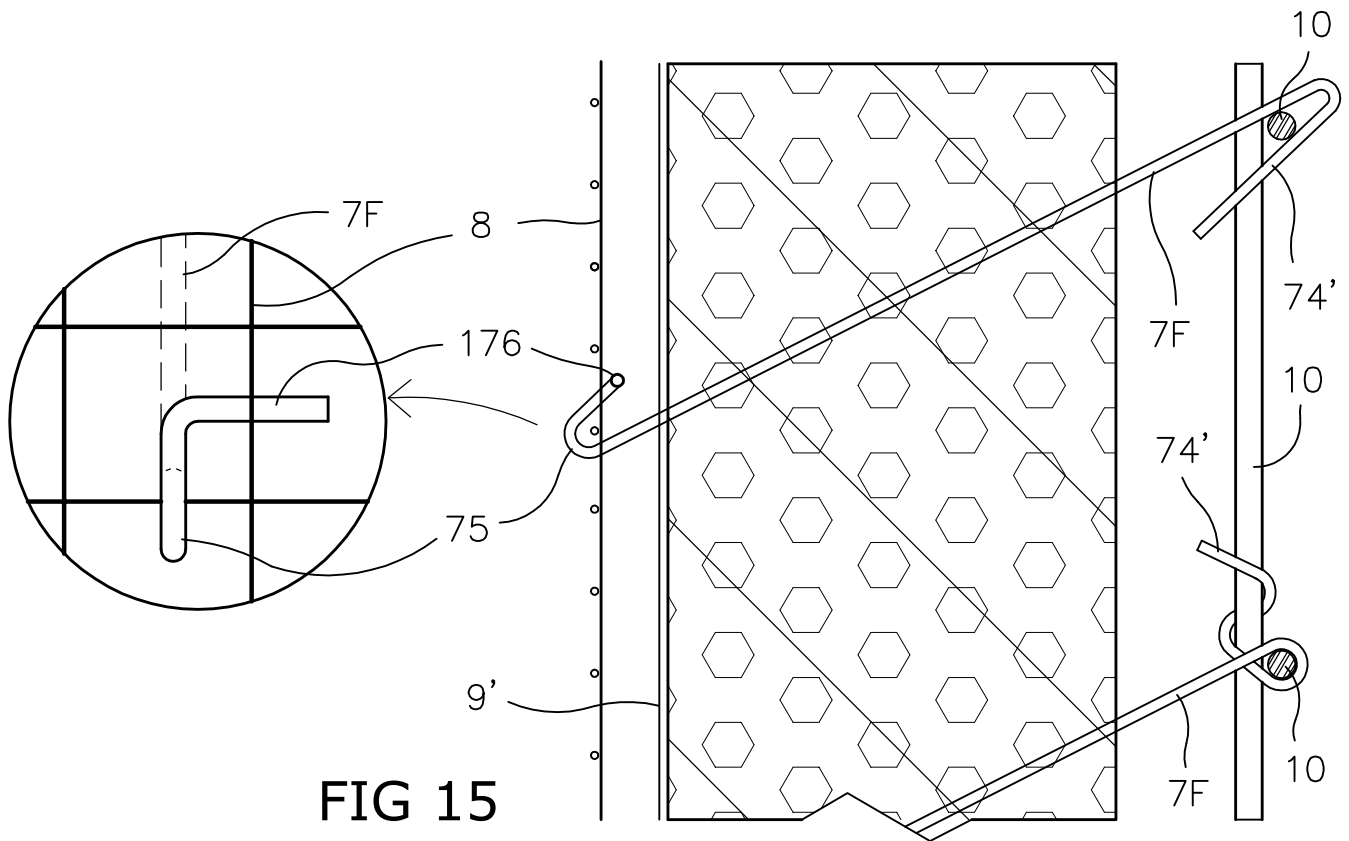
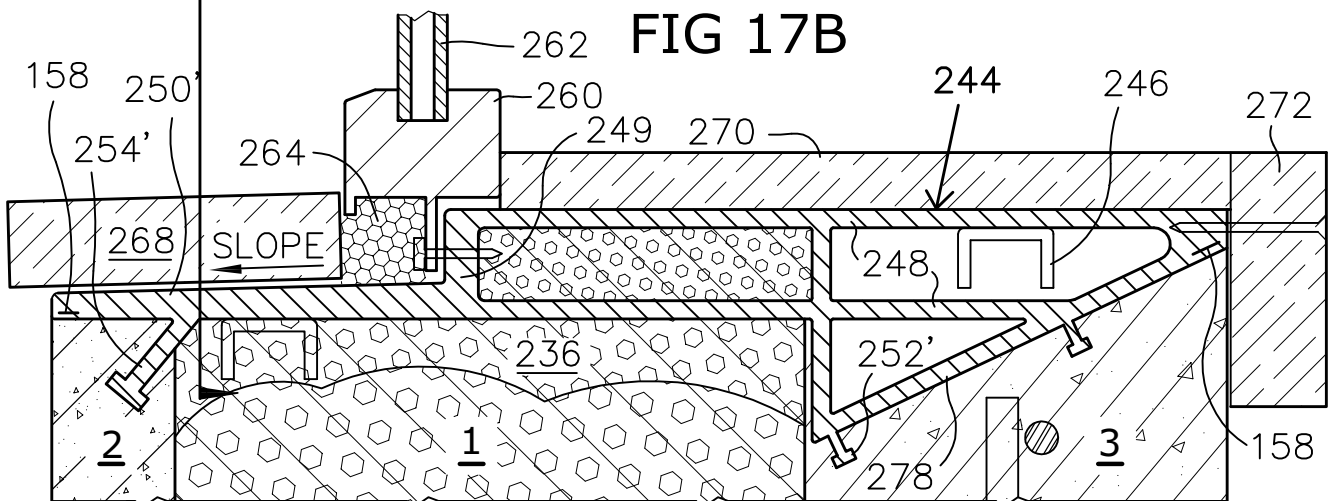
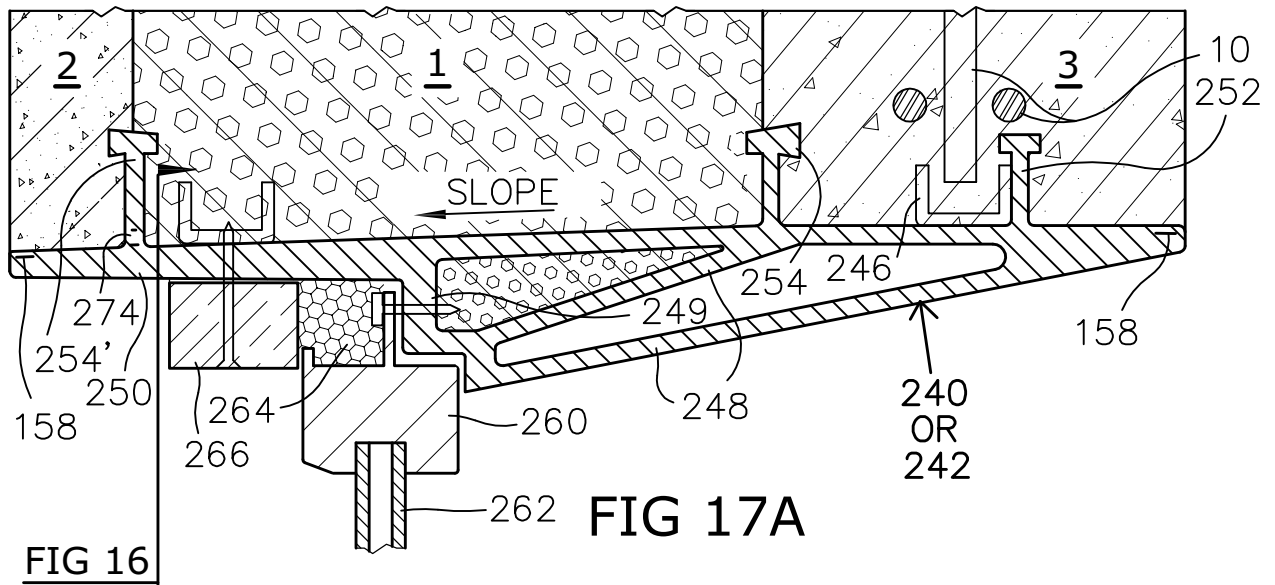
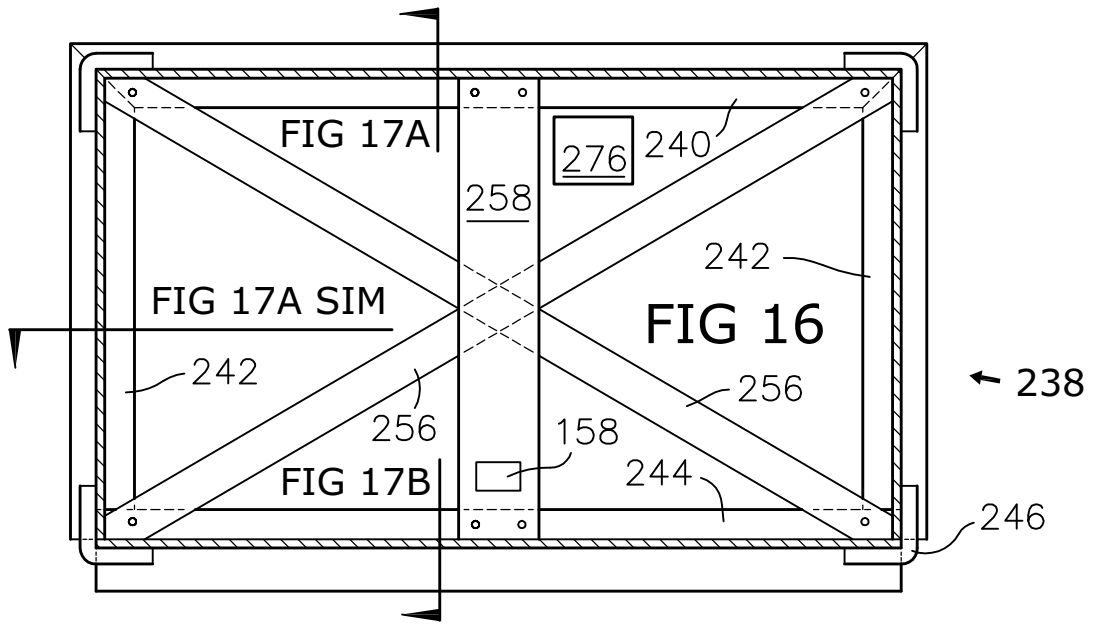


FIG 15



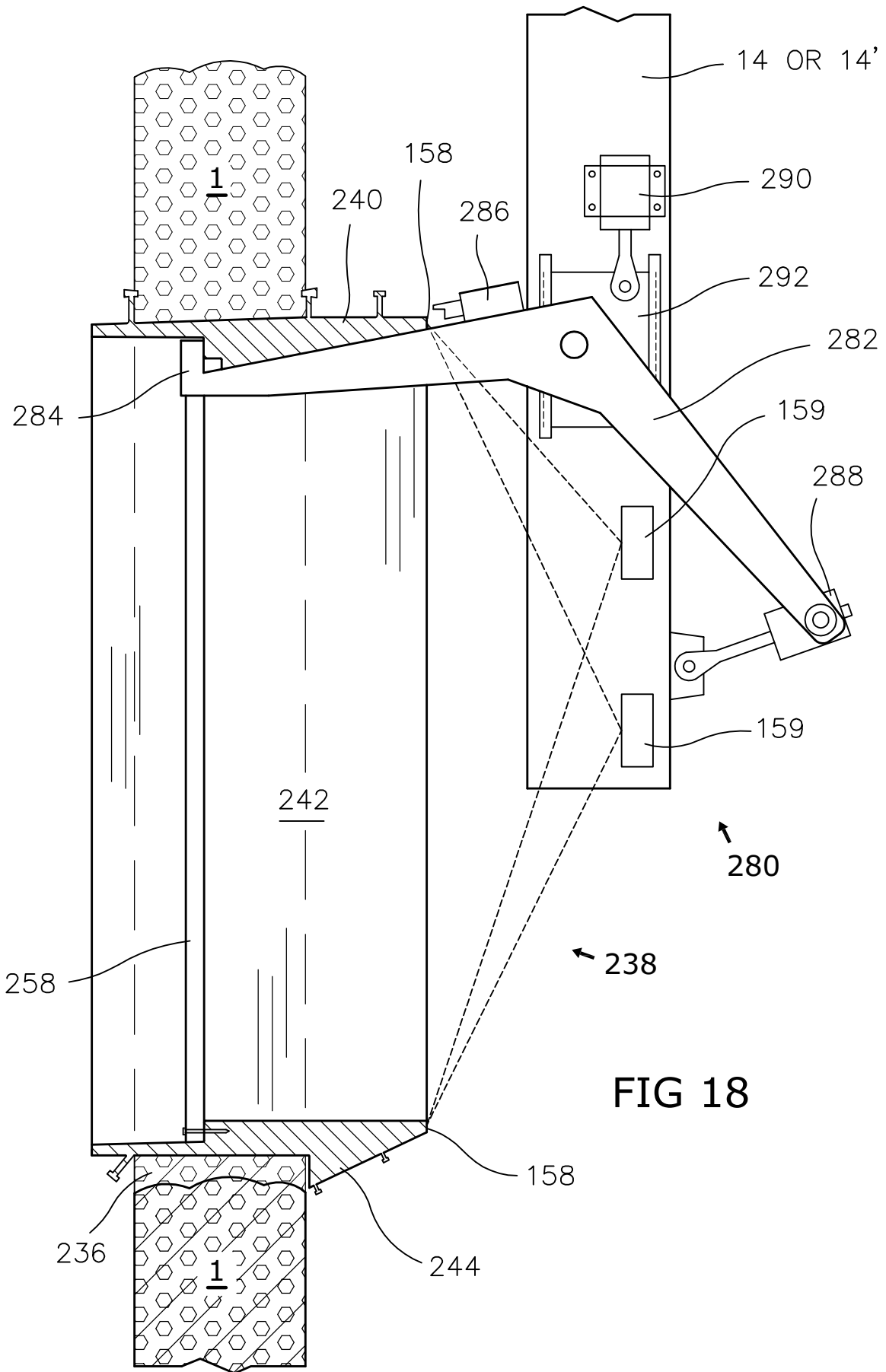


FIG 18